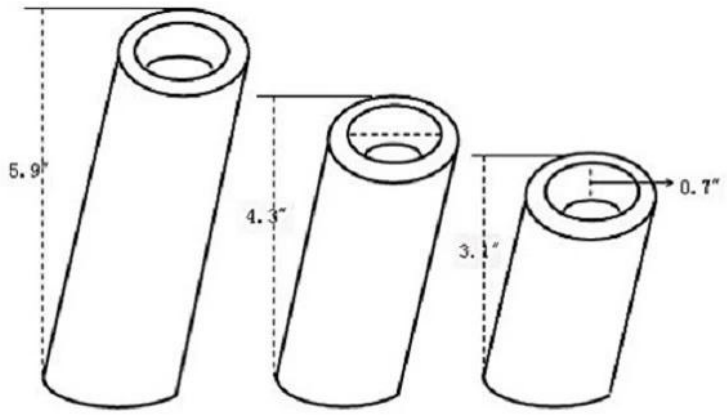


Items	Stainless Steel Candle Holders
Material	Stainless Steel
Features	<ul style="list-style-type: none">• Mirror finish leaning candlestick holder set• These small holders portable and flexible for us to carry about• Each holder fits for tealight candle diameter up to 1.6"• Add a touch of elegance to elevate your home decor
Color	According to your requirements
MOQ	1000sets
Sample lead time	3-5 days
Packing	White box/color box
Bulk lead time	30 days after sample approval
Payment terms	T/T
Export port	FOB Shenzhen
OEM/ODM	1) Customized designs, materials, size, colors available 2) Free design service provided by our RD departmet
LOGO processing	Decal logo, Laser logo, Etching logo, Silk printing logo, Debossed logo, Embossed logo
Telephone	0755-33221366 33221399





Office



Sample Room 1



Sample Room 2



Team



Team



Team

1. Q: How can customers buy E-BON products?

A: Our customers can send email to sales@szebon.com, which is our business email. Alternatively, customers can dial 86-0755-33221366 to tell us the projects to be developed, or the products they are interested in. Our business team awaits customers all day long.

2. Q: Where is the main market for E-BON products?

A: Our main market is Europe and America, so we are quite familiar with the demands and requirements of this market. We can offer our customers our professional consultation and recommendation service. Simultaneously, we will launch new products on basis of the changes of European and American markets, to help our clients better exploit the market. In addition, we also expand the markets in Russia, Asia, and South America.

3. Q: What is the minimum order quantity? How long is the delivery time?

A: Both MOQ and delivery time need to refer to the specific products. Our MOQ is usually 1000pcs, and the quantity of our waste bin product is calculated in accordance with the entire cabinet. The delivery time is within 30 days.